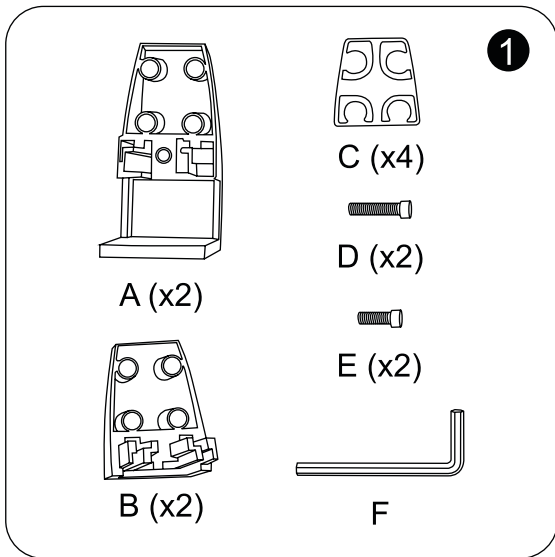
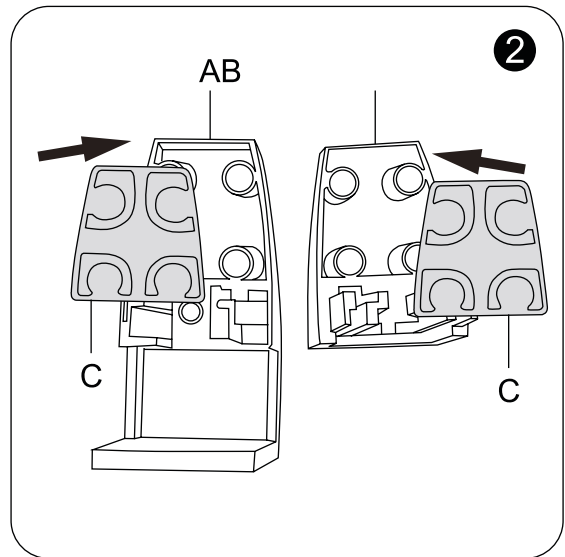


# Instruction Manual

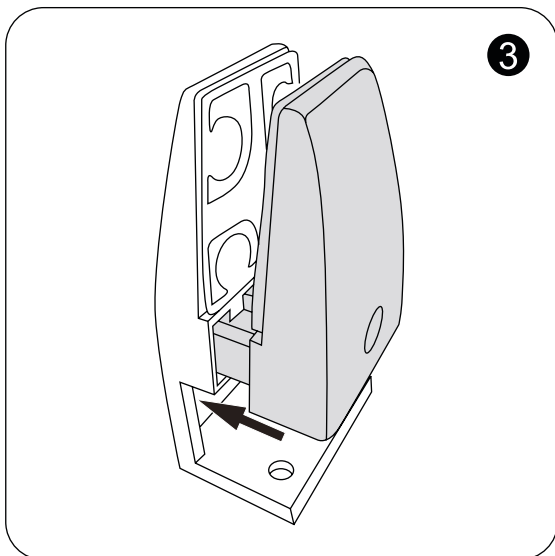
Acoustic Panel 80x30cm  
Green



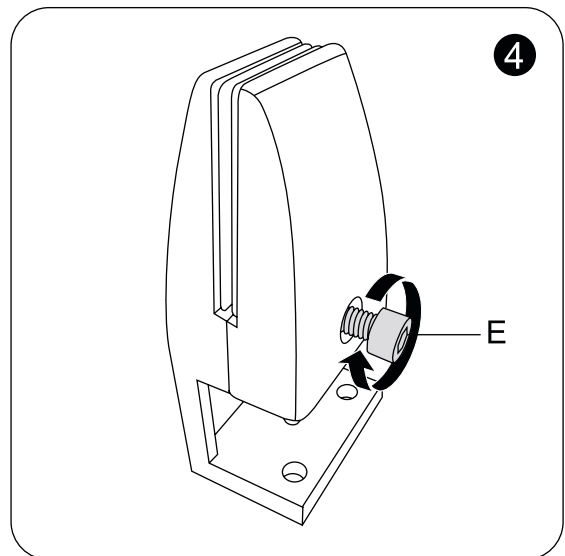
All accessories needed.



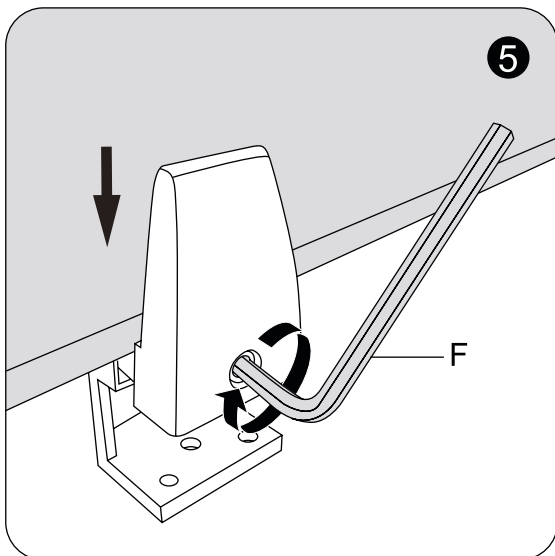
Install the rubber pad on the clamp.



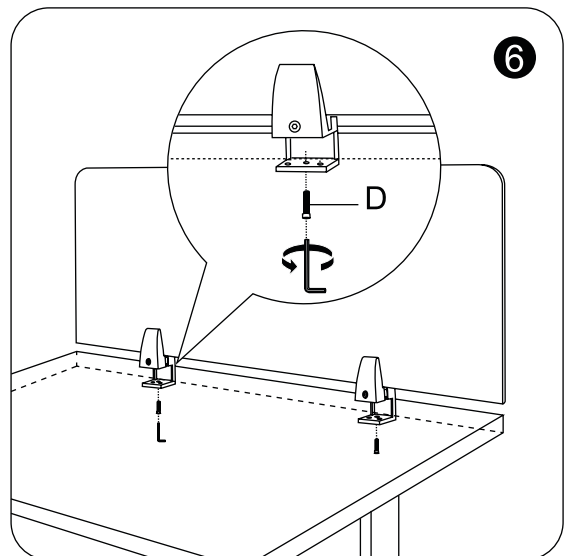
Assemble the clamp.



Slightly insert the screw into the hole.



Place the screen in the middle of the clamp and tighten the screw. Install the second clamp in the same way.



Attach the panel to the work surface with left screws.