



QUICK GUIDE

BATTERY-POWERED LEAF BLOWER

Assembly

1. Align the Blower Tube slots with the raised portion on the Blower Housing (**Figure 1**).
2. Slide the Blower Tube over the outlet on the Blower Housing until it is seated firmly against the flange base.
3. Rotate the Blower Tube 90° in the direction indicated to lock it in place (**Figure 2**). The raised tab on the top of the Housing will align with the raised portion on the Tube.
4. Slide the Battery Pack into the battery cradle on the Blower Housing, aligning the ribs in the cradle with the slots in the battery until it is latched into place (**Figure 3**).
5. Check that the Battery is securely locked into place.

How to use

1. While firmly grasping the Handle, rotate the Power Switch button past the MIN/OFF position (forward) (**Figure 4**). If the Blower does not start, make sure the Battery Pack is charged and locked firmly in the Blower Housing.
2. Rotating the Power Switch button further forward will accelerate the Blower and pressing down on the Power Switch button will provide a short boost to the power.
3. To turn off, rotate the Power Switch backwards to the MIN position and past the detent/click.

BATTERY NOTICE

- Charge battery full before first use
- Try not to charge at below 0°C
- Compatible with +62 volt 5.0AH and 2.5AH Battery

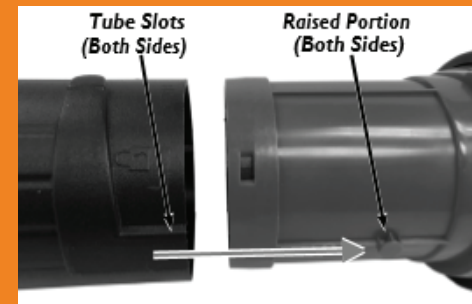


Figure 1



Figure 2



Figure 3



Figure 4